

**PCcardsDirect.com**

**U F M**

**USB Flash Module**

**Industrial Grade NAND Flash Memory**

**Product Specification**

**V1.0**



## Table of Contents:

<b>1</b>	<b>Description</b> .....	1
1.1	Features.....	1
1.2	System Specifications.....	2
<b>2</b>	<b>Physical Specifications</b> .....	3
<b>3</b>	<b>Ordering Information</b> .....	4
3.1	Part Number.....	4



## 1. Description

The UFM, USB 2.0 compatible motherboard flash module is the solution enterprise customers have been searching for. Motherboard manufacturers, IT maintenance personnel, Datacenter maintenance support engineers all benefit from the 10 pin plug and play solution. Gone are the days of booting from the CD or external USB port. This onboard USB Flash module is large enough to store your Windows, XP embedded and Linux O/S. The low power requirements and small footprint is the OEMs answer to storage and small bootable devices.



### 1.1 Features

- USB 2.0 Compatibility
- Supports SLC NAND Memory
- RoHS compliance
- Industrial Temperature rated at  $-40^{\circ}\text{C} \sim +85^{\circ}\text{C}$
- Advanced Wear Leveling algorithms for better ECC management



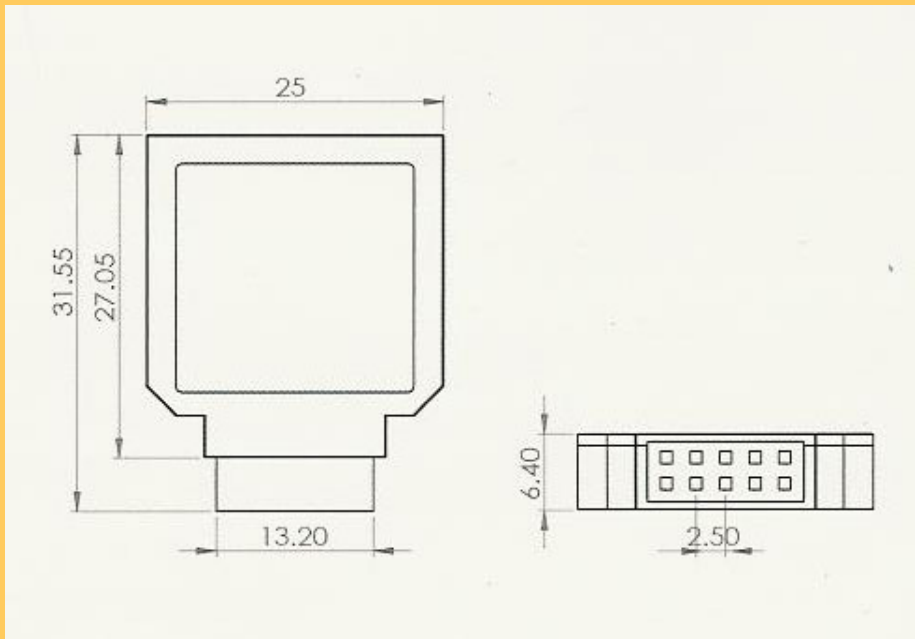
## 1.2 System Specifications

General Specification	
Flash Technology	NAND Type Flash Memory Based
Compatibility	USB 2.0
Form Type	USB Flash Module
Flash Capacity	up to 16GB
Media Transfer Rate	Sequential Read SLC: 30MB/sec max Sequential Write SLC: 25MB/sec max
Support	Error Correcting Code (ECC) / Wear-Leveling and advanced bad sector management algorithms
Environment Specification	
Standard Operating Temperature	0°C ~ +70°C
Wide Operating Temperature	-40°C ~ +85°C
Supported OS	Windows XP / Windows 2000 Windows Vista / Windows 7
System Reliability	
MTBF	more than 2 Million HRS
Endurance	more than 2 Million CYCLES
Power Voltage	+5V ± 10%



## 2. Physical Specifications

Parameter	Description
Weight	4.2 g
Length	31.55 mm
Width	25.00 mm
Thickness	6.4 mm



### 3. Ordering Information

Capacity	Part Number
1GB	PCDUFM1024MBI
2GB	PCDUFM2048MBI
4GB	PCDUFM4096MBI
8GB	PCDUFM8192MBI

